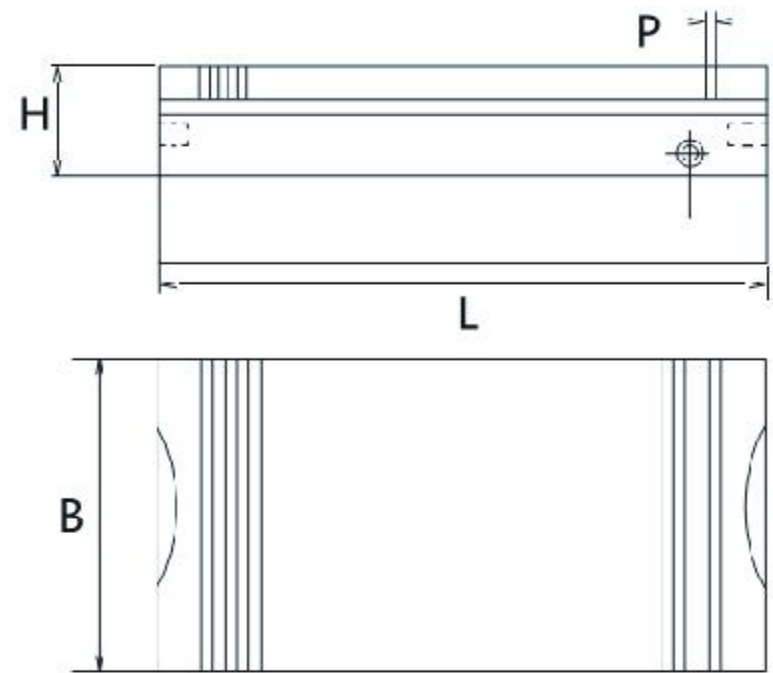


X41 永磁平面吸盘 PERMANENT MAGNETIC CHUCK



产品主要用途和特性

用途：适用于磨床、放电加工机床、磨刀机等轻切削研磨加工。

特点：磁极间隙细密，磁力分布均匀，加工薄小工件时效果明显，充、退磁时工作台面精密度无变化。面板经过特殊处理，无渗漏，可防止切削液腐蚀，延长磁盘使用寿命，可长时间放在切削液中工作。

The main uses and characteristics

Application : Apply to surface grinder,EDM,WEDM,and other light carving machine or CNC application.

Features : 1. Fine pole spacing,uniform distribution of the magnetic force.

2. Thin and small workpiece processing of the working table is very stable. It doesn' t change during magnetizing or demagnetizing.

3. The panel has special processing, completely sealed from dirt and liquid.

永磁吸盘系列

型号 Model	台面长度 (L) Length(mm)	台面宽度 (B) Width(mm)	吸盘高度 (H) Chuck Height(mm)	磁极间距 (P) Pole Pitch	吸力 (kgf/cm ²) Magnetic Force	净重 (kg) Net Weight
X41 1010	100	100	48	0.5+1.5 1+3	12kgf/cm ²	4.8
X41 1015	150	100				5.5
X41 10175	175	100				7.0
X41 1020	200	100				8.0
X41 12525	250	125				12
X41 1515	150	150				8.5
X41 1520	200	150				10
X41 1525	250	150				12
X41 1530	300	150				17
X41 1535	350	150				19
X41 1540	400	150				22
X41 1545	450	150				24
X41 2020	200	200				26
X41 2035	350	200				28
X41 2040	400	200	32			
X41 2045	450	200	36			
X41 2050	500	200	40.5			
X41 2060	600	200	48			
X41 2540	400	250	52	0.5+1.5 1+3	12kgf/cm ²	40
X41 2545	450	250				45
X41 2550	500	250				51
X41 2560	600	250				57
X41 3030	300	300				45
X41 3040	400	300				50
X41 3045	450	300				57
X41 3050	500	300				60
X41 3060	600	300				75

注：以上产品规格和尺寸仅供参考，以本公司实际产品为准，变更时恕不另行通知

The above products specifications and dimensions are for reference only, shall be subject to the actual product by our company, are subject to change without prior notice